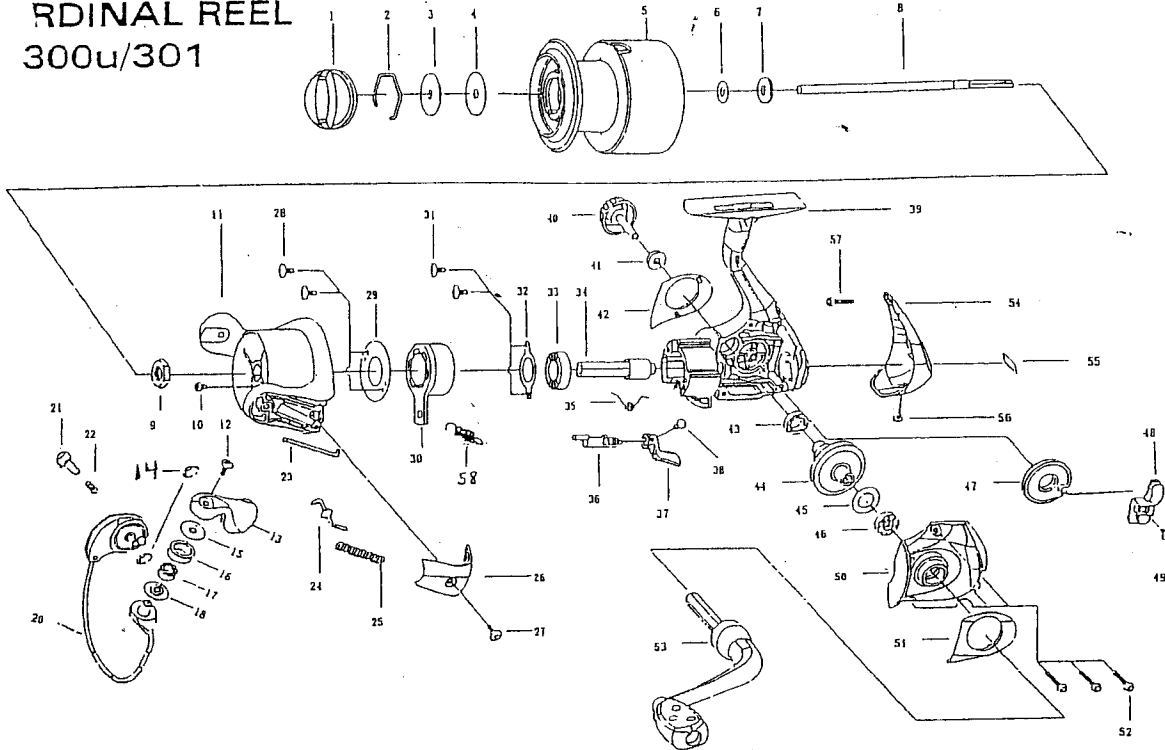


# EXPLODED VIEW

RDINAL REEL  
300u/301



300U/301

2002

NO	DESCRIPTION	300U	301	NO	DESCRIPTION	300U	301
1	drag knob	1085727	1085727	30	one way ball bearing	1085543	1085543
2	retainer ring	1092606	1092606	31	screw	1092775	1092775
3	washer	1092607	1092607	32	retainer ring	1085332	1085332
4	washer	1092709	1092709	33	ball bearing	1085544	1085544
5	Spool Assembly	1085728	1085729	34	pinion gear	1085545	1085545
5	Spool Assy Poly.	1091861	1091862	35	spring	1085546	1085546
6	washer	1085270	1085270	36	anti-reverse pin	1085547	1085547
7	click gear	1085271	1085271	37	anti-reverse lever	1085738	1085738
8	main shaft	1085605	1092817	38	screw	1092777	1092777
9	rotor nut	1085606	1085618	39	body	1085739	1085739
10	screw	1085900	1085900	40	handle screw cap	1085740	1085740
11	rotor	1085730	1085731	41	washer	1092781	1092781
12	screw	1085608	1085608	42	body decoration plate	1092811	1092811
13	bail arm	1085732	1085733	43	ball bearing	1085552	1085552
14	ring	1085323	1085323	44	drive gear	1085550	1085550
15	bushing	1092791	1092791	45	bushing	1085551	1085551
16	line roller	1085364	1085364	46	ball bearing	1085552	1085552
17	ball bearing	1085365	1085365	47	oscilation gear	1085612	1092815
18	bushing	1085536	1085536	48	slider	1085613	1092816
20	BAIL ASSY	1085734	1085735	49	screw	1085456	1085456
21	click pin	1085538	1085538	50	body cap	1085741	1085742
22	spring	1085539	1085539	51	body cap decoration plate	1092809	1092809
23	bail lever	1085610	1092818	52	screw	1085599	1085599
24	bail lever	1085540	1085540	53	handle assembly	1085743	1085743
25	spring	1085541	1085541	54	rear cover	1085744	1085744
26	rotor cover	1085736	1085737	55	logo plate	1085602	1085602
27	screw	1092775	1092775	56	screw	1092710	1092710
28	screw	1092844	1092844	57	screw	1085603	1085603
29	one way retainer ring	1085542	1085542	58	spring	1080731	1080731

40